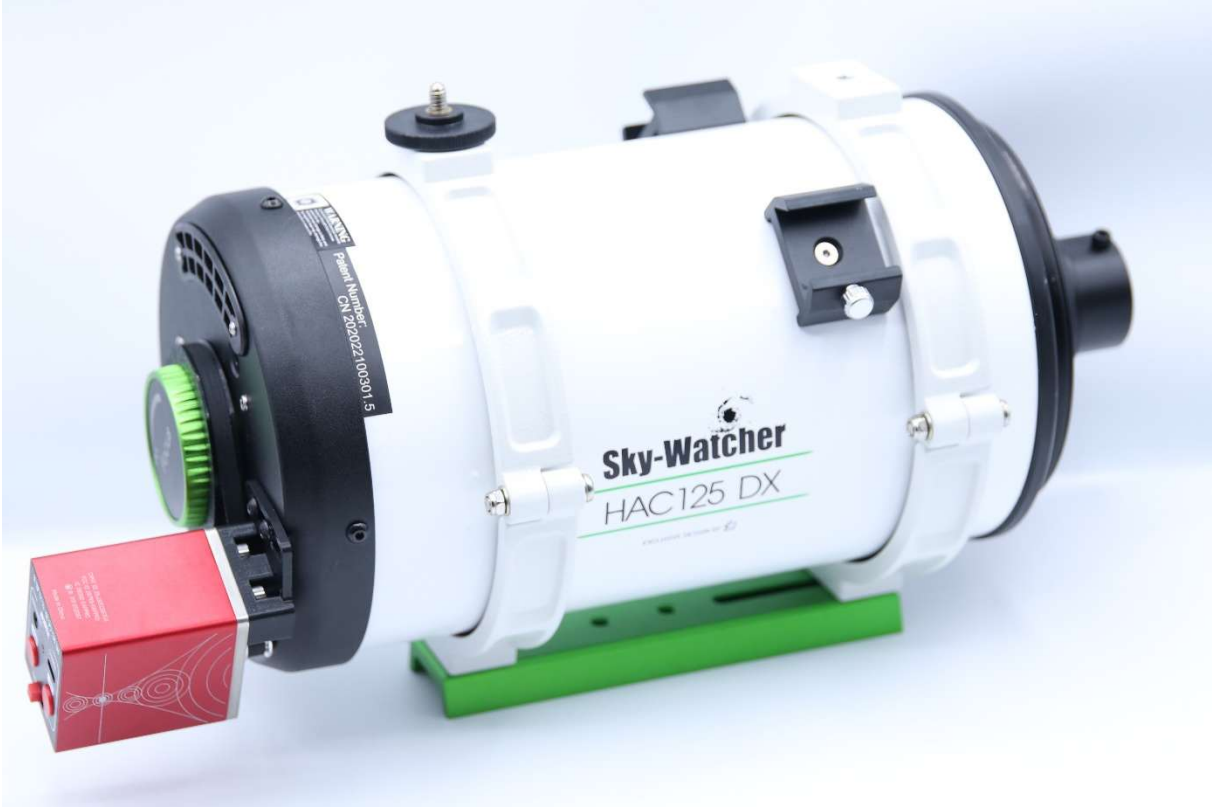
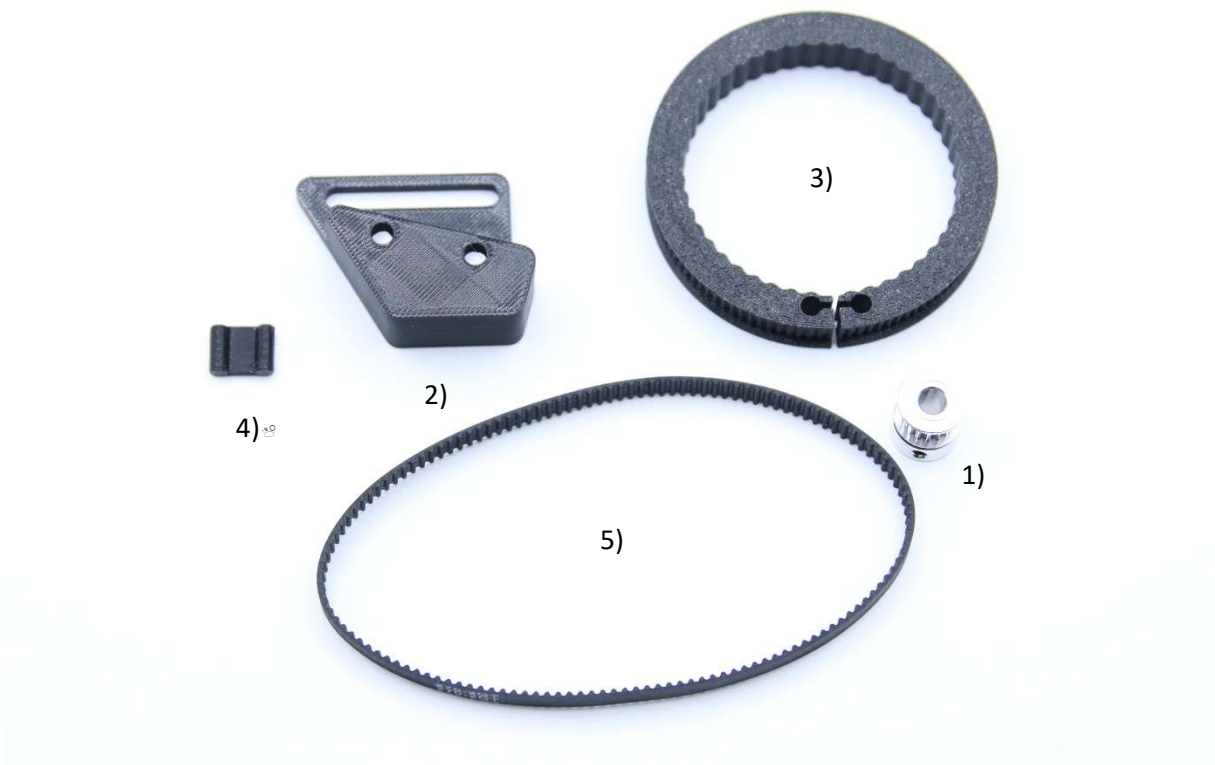


**Assembly Instructions for ZWO EAF PRO Motor Focuser on Skywatcher
HAC125DX Astrograph**



Scope of delivery:



- 1) Shaft Adapter
- 2) Motor Mount
- 3) Gear Ring
- 4) Connector
- 5) Timing Belt

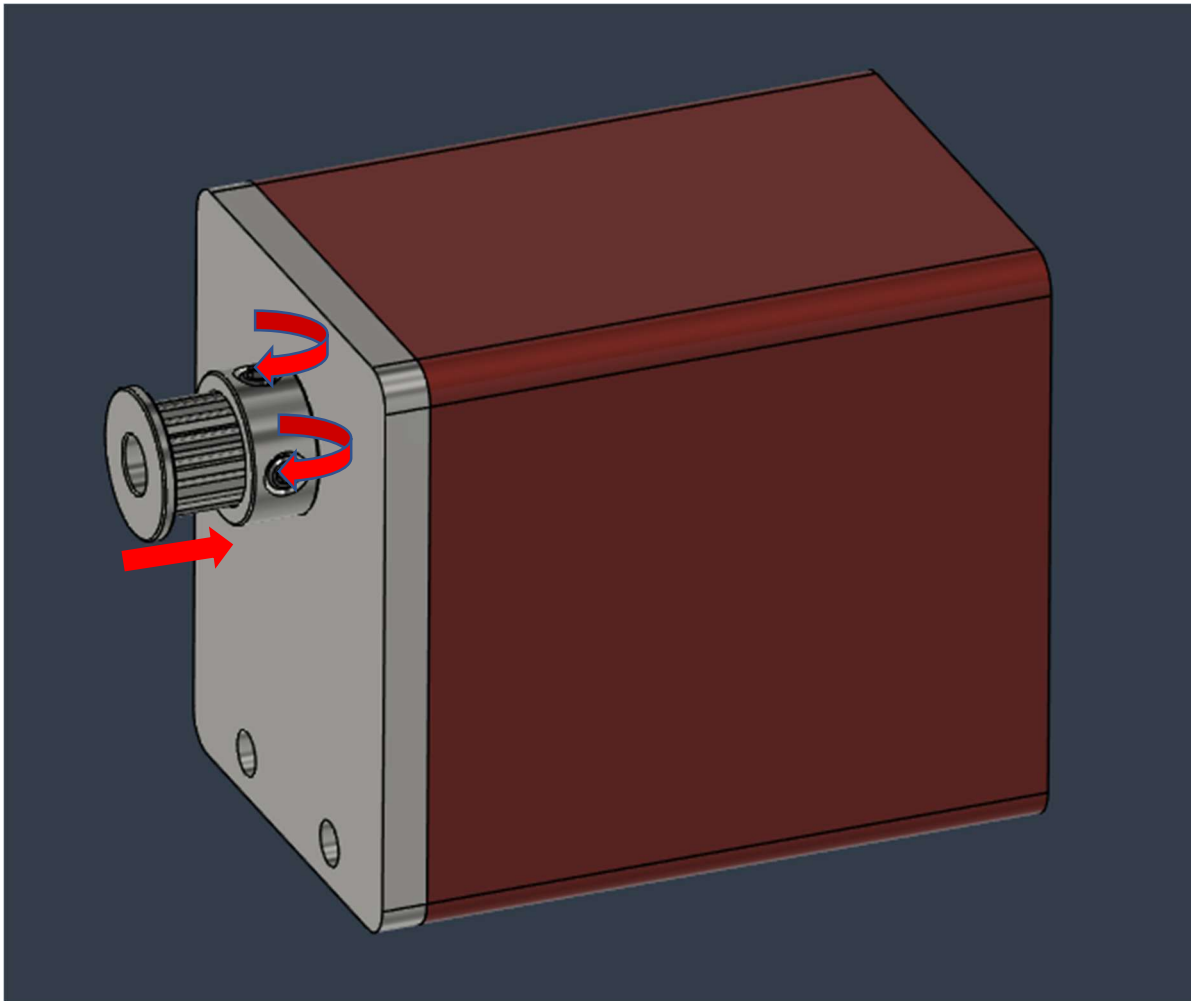
Mounting tools are not included (Allen keys sizes 1.5, 2.5, and 3).

Please note for 3D printed parts: do not overtighten. Tighten carefully until resistance is felt, but do not exceed this point.

For spare part orders, please provide the color marking on the packaging as well as the part number shown above. Without this information, we cannot supply matching replacement parts.

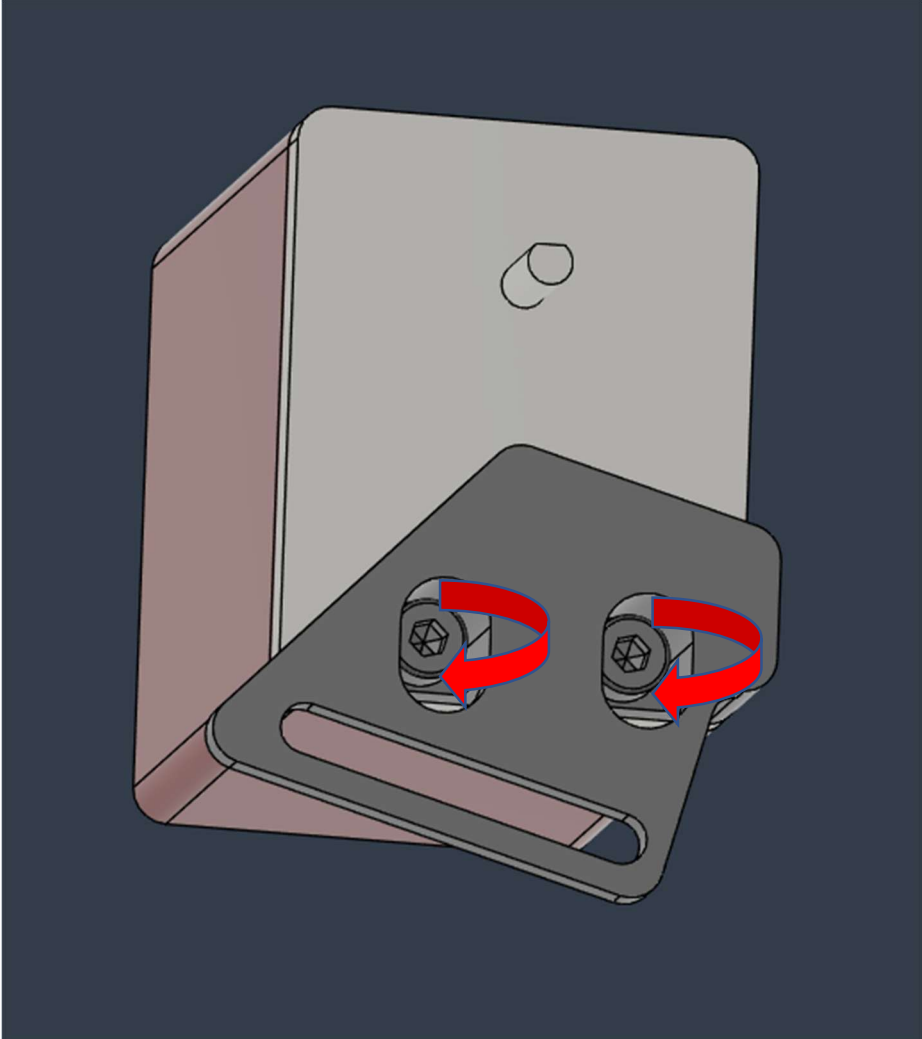
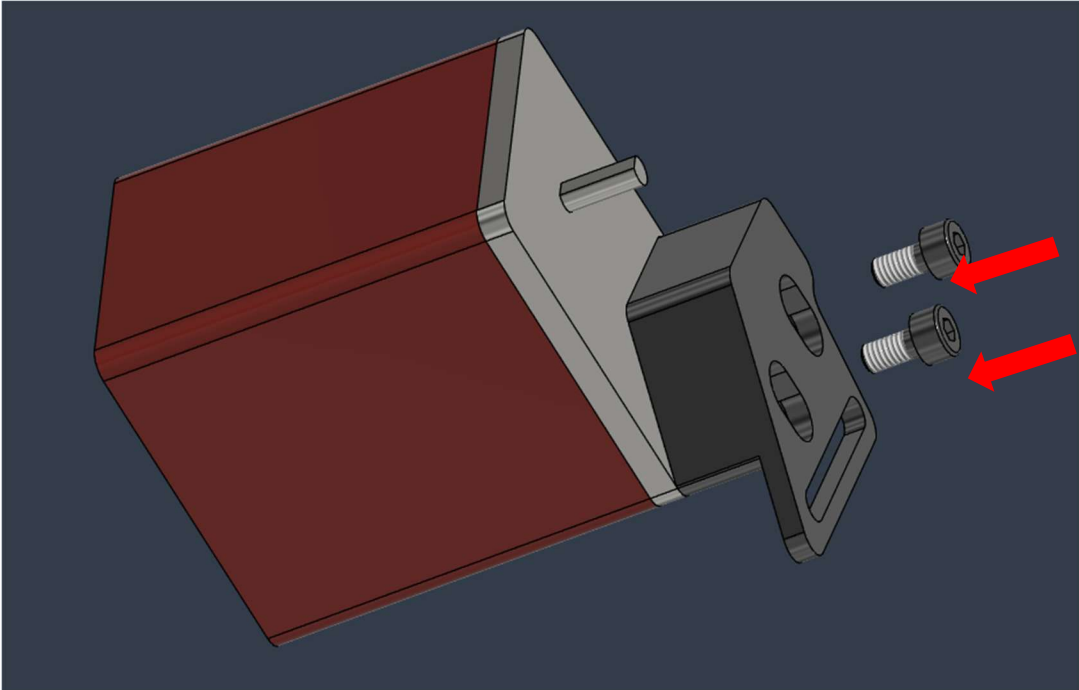
Step 1:

Attach the shaft adapter (1) to your EAF PRO. Make sure to push the shaft adapter fully onto the unit until it reaches the housing.



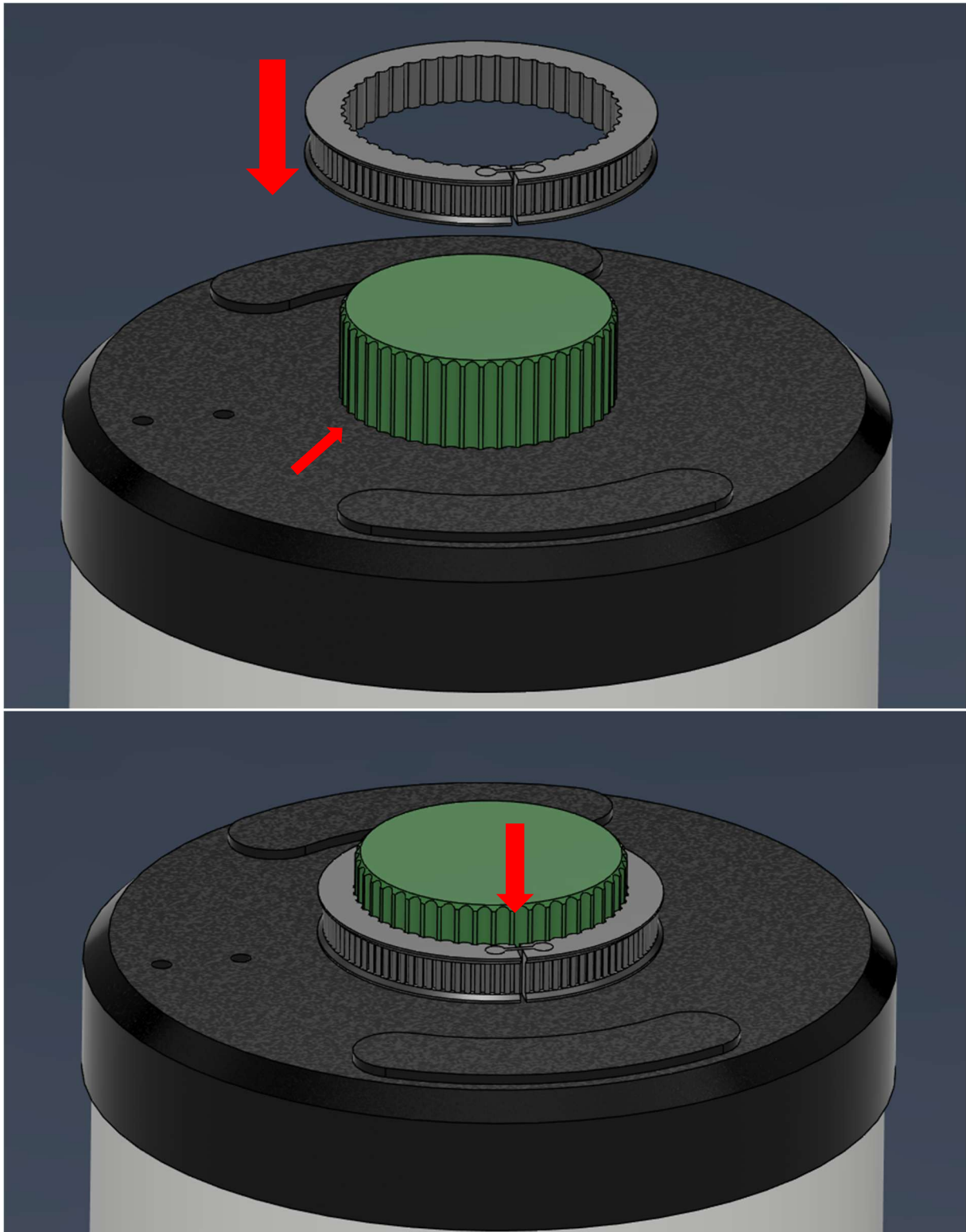
Step 2:

Then mount your EAF PRO onto the motor mount (2) using the M4x10mm screws included in your EAF set.



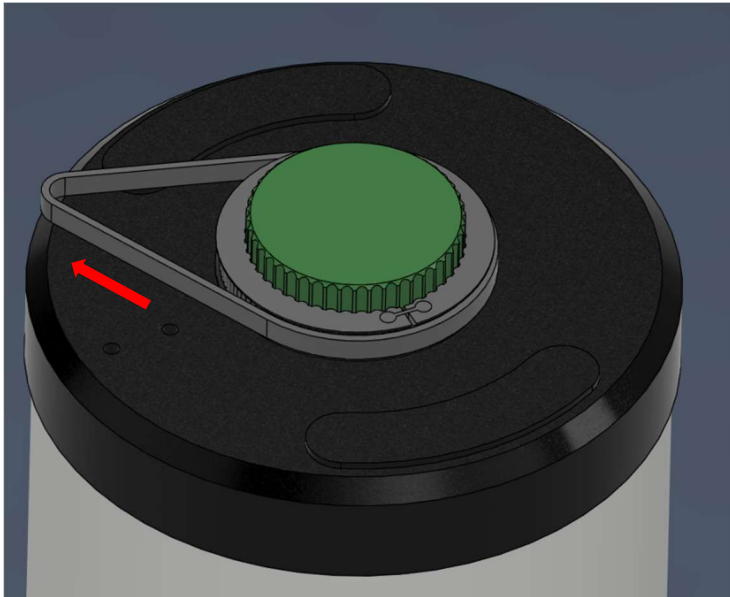
Step 3:

Slide the gear ring (3) over the focuser of the Skywatcher HAC125DX and secure it with the connector (4).



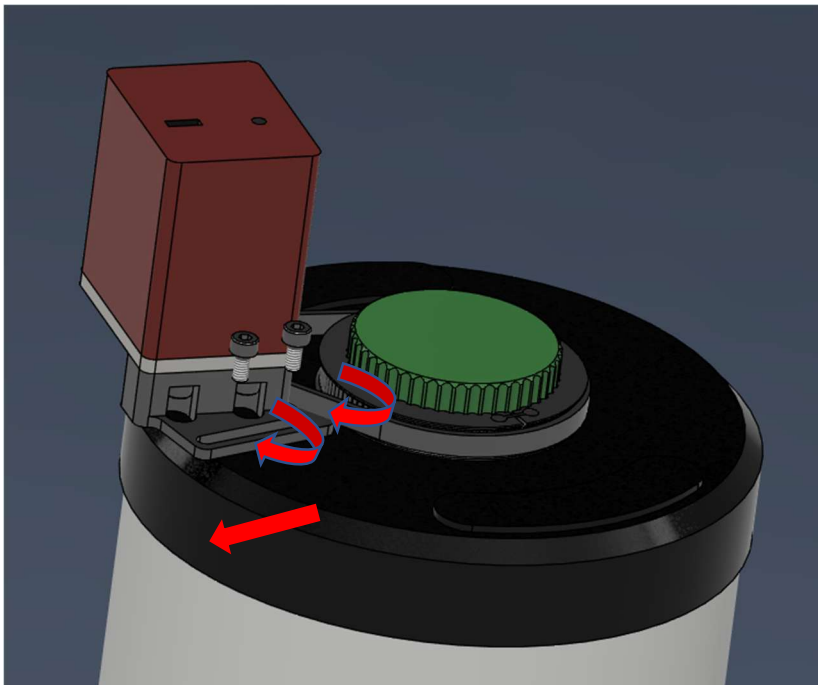
Step 4:

Place the timing belt (5) over the gear ring and pull it outward toward the end of the tube.

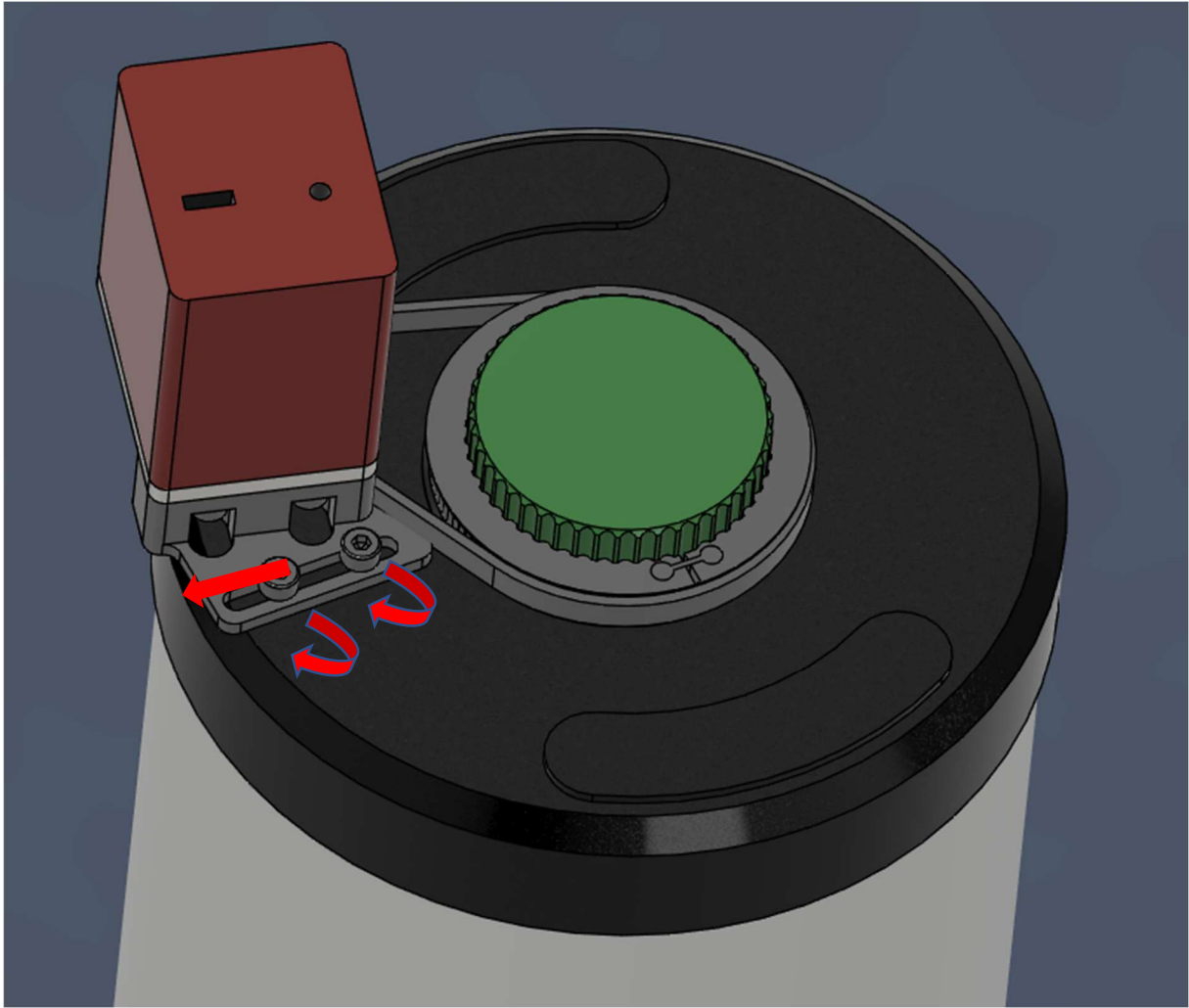


Step: 5

Loosen the two adjacent screws on your Skywatcher HAC125DX. Attach the motor mount at this position and loosely fasten it with the same screws. Place the timing belt (5) over the shaft adapter (1), pull the entire assembly outward, reinsert the screws, and lightly tighten them so they are fixed.



Then pull the motor assembly fully outward and tighten the screws on the tube.



Congratulations! The installation is now complete.